



Switch To Quality

Data Sheet

Cords and Cables  
 (Manufacturers, Importers & Distributors)  
 Unit Q1, Hawthorn Industrial Estate, Middlemore Road, Birmingham B21 0BH  
 Tel: 0121 523 2574 Fax: 0121 523 9531  
 E.mail: info@cordsnables.co.uk Web: www.cordsnables.co.uk

Importers, Distributors & Manufacturers - Member of: The Lighting Association

3.A18 RX7s Lamp Holder for double ended linear HQI discharge lamp

3.A18

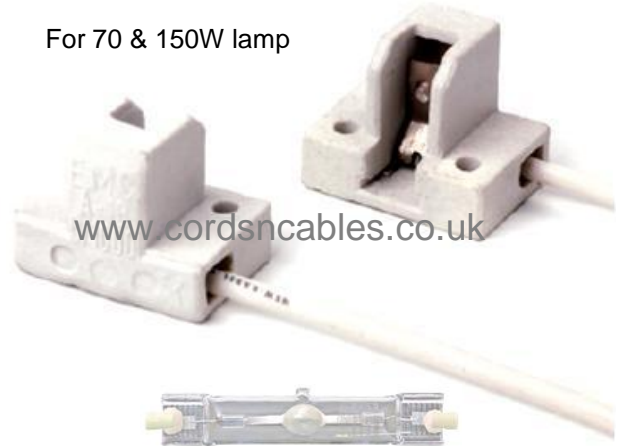


**Lampholder:**

Rated voltage:  
 Impulse voltage:  
 Rated current:  
 Working temperature:  
 Connected cables  
 working temperature:  
 Overvoltage category:  
 Protection degree (IP):  
 In conformity to the standards:  
 In conformity to the requirements  
 of the directive:

**RX7s**  
  
**500 V**  
**5 KV**  
**6 A**  
**T 260°C**  
  
**T 105°± 250°C**  
**III**  
**IP20**  
**EN 60838-1 \***  
  
**B.T. 2006/95/CE**

For 70 & 150W lamp



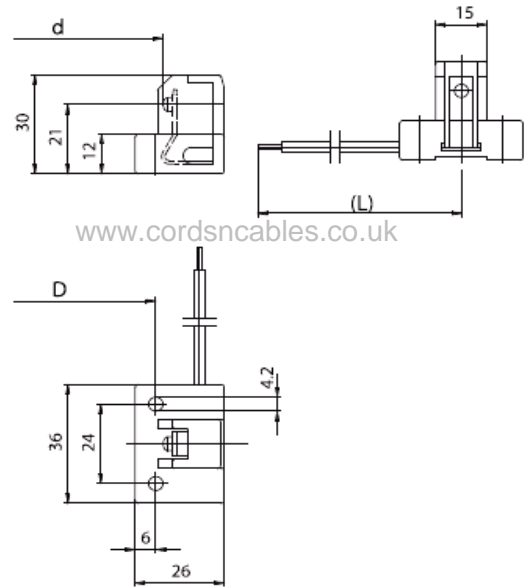
Approval marks:

Single-conductor, flexible connecting cables crimped to the lampholder:

Insulation	T in °C	Conduct.	Available sections and tensions			
			Pulse KV	0,75 mm <sup>2</sup>	1,00 mm <sup>2</sup>	1,50 mm <sup>2</sup>
Oversize silicone Single insulation	180	CuSn	10KV	•	•	•
Oversize silicone Single insulation	180	CuSn	5KV	•	•	•
Silicone+Silicone Single insulation	180	CuSn	5KV	•	•	•
Oversize PTFE Single insulation	250	CuNi	5KV	•	•	•
Oversize PTFE +PFA Double insulation	250	CuNi	5KV	•	•	•

\* The article complies with all the requirements of standard EN 60838-1 26 with exception to the prescription regarding the lamp insertion, which in the standard CEI-IEC 61-2N (1995), data sheet 7005-53-3, is required to be maximum 45N, while in this lampholder is 50N.

**Note:** the pair is composed by one lampholder with cable exit from the right side and the other with cable exit from the left side.



- Porcelain body.  
 Contacts in nickel-plated electrolytic copper.  
 Pressure springs in hardened and normalized steel.
- Weight of the lampholders pair in standard execution (with cables L = 25 cm): 70 g.
- D: fixing distance of the lampholders pair on rigid structures:
  - 104,0 mm for lamps with RX7s cap, with "Z nom." lamp 114,2 mm (70W)
  - 121,8 mm for lamps with RX7s cap, with "Z nom." lamp 132,0 mm (150W)
- d: distance between the contacts = D + 6,6 mm
- Instructions to fix the lampholder on structures.

- Fixing of the lampholders pair by M4 screws to be inserted in the fixing holes with center distance 24mm.