



Switch To Quality

Data Sheet

Cords and Cables
 (Manufacturers, Importers & Distributors)
 Unit Q1, Hawthorn Industrial Estate, Middlemore Road, Birmingham B21 0BH
 Tel: 0121 523 2574 Fax: 0121 523 9531
 E.mail: info@cordsn cables.co.uk Web: www.cordsn cables.co.uk

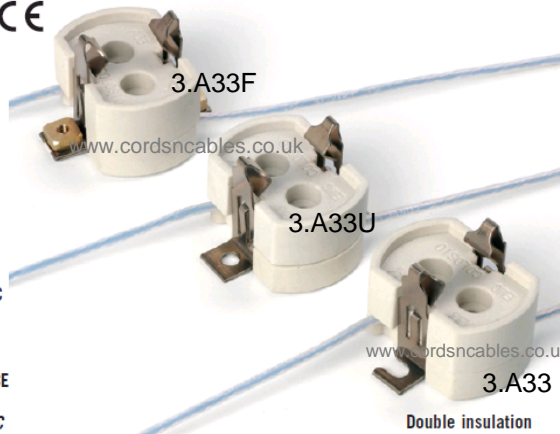
Importers, Distributors & Manufacturers - Member of: The Lighting Association

3.A33 G12 Series for 2 pin discharge lamps



PATENTED

Lampholder: G12
Rated voltage: 500 V
Impulse voltage: 5 KV
Rated current: 4 A
Working temperature: T 300°C
Connected cables working temperature: T 150°± 250°C
Overvoltage category: III
In conformity to the standards: EN 60838-1
In conformity to the requirements of the directive: B.T. 2006/95/CE
Approval marks: ENEC 03 CQC



A33U: lampholder as A33 with fixing bracket with hole and slotted hole.
A33F: lampholder as A33 with threaded brass bushes M3 inserted in the fixing holes with center distance 30 mm.

Single-conductor, flexible connecting cables crimped to the lampholder:

Insulation	T in °C	Conduct.	Available sections and tensions			
			Pulse KV	0,75 mm ²	1,00 mm ²	1,50 mm ²
Silicone+Silicone Single insulation	180	CuSn	5KV	•	•	
Oversize silicone Single insulation	180	CuSn	5KV	•	•	
Oversize PTFE Single insulation	250	CuNi	5KV		•	
Oversize PTFE+PFA Double insulation	250	CuNi	5KV		•	

On customer's request, the cable not subjected to the lamp starter voltage, can be supplied with basic insulation.

Lampholder whose surface distances allow the use in class II fittings, with working tensions up to 500V and impulse voltage 5KV, if connected with double or triple insulated cables (ref. standard EN 60598.1).

Solid fixing structure, in steel, independent from the ceramic body (this solves the problem of the easy breaking, during the fixing process, of the existing lampholders). Furthermore, it allows a quick fixing by a bayonet system.

NOTE: normally, the lampholder should be fixed on plain fixing structure or on support with minimum diameter 10 mm.

- Steatite body.
- Contacts in special alloy.
- Steel strengthening springs for the contacts.
- Lamp retaining spring in stainless steel.

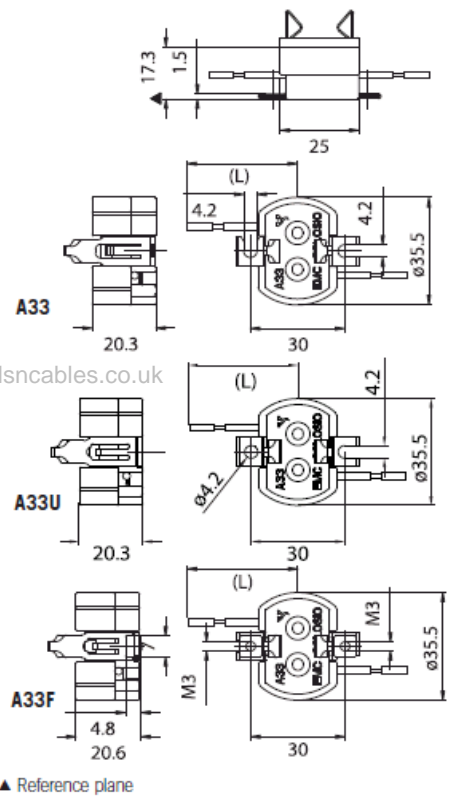
- Weight of the lampholder in standard execution (with cables L=25cm): 50 g



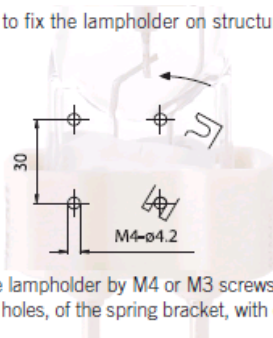
PATENTED

Lampholder: G12
Maximum power: 660 W
Rated voltage: 600 V
Impulse voltage: 5 KV
Working temperature: T 250°C
Connected cables working temperature: T 105°± 250°C
In conformity to the standards: UL 496
CSA 22.2 N.43
Approval marks: cURus

www.cordsn cables.co.uk



- Instructions to fix the lampholder on structures.



- Fixing of the lampholder by M4 or M3 screws, to be inserted in the fixing holes, of the spring bracket, with center distance 30 mm.

Single-conductor, flexible connecting cables crimped to the lampholder:

Insulation	T in °C	Conduct.	Available voltages and AWG	
			600V	18AWG
Silicone Single insulation	200	CuSn	•	•
Silicone+glass-braid Single insulation	200	CuSn	•	•
PTFE Single insulation	250	CuNi	•	•
PTFE+PFA Double insulation	250	CuNi	•	•